

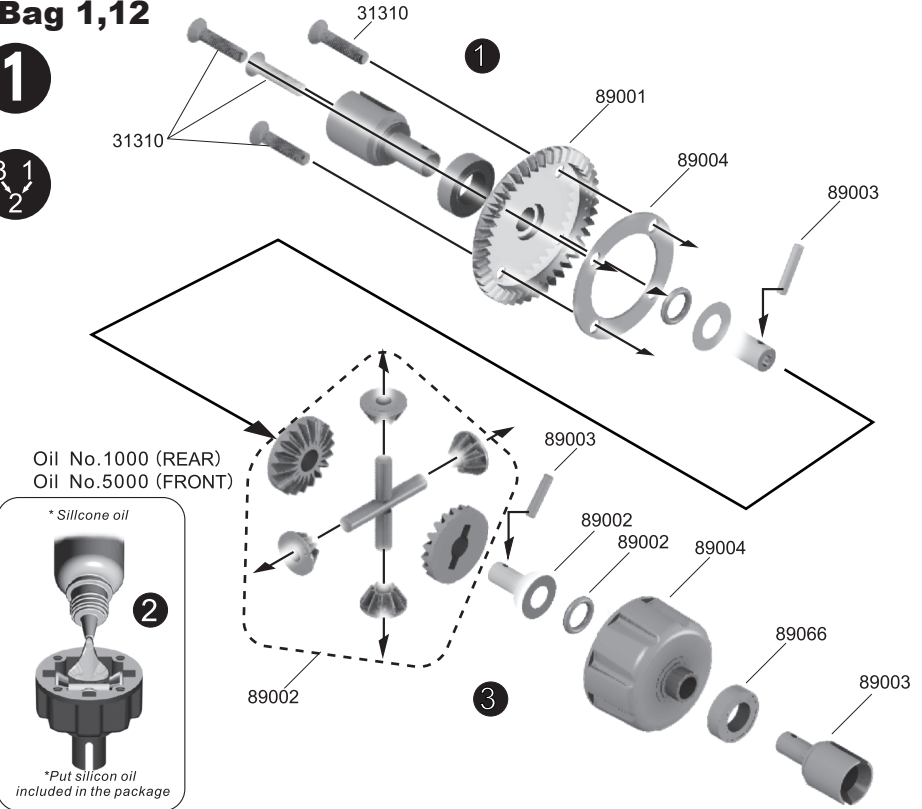
Assembly of Front/Rear Differential

- 89066
8x14x4mm x2
Ball Bearing
- 89003
2.5x11.8mm x2
Shaft
- 89002
4x26.8mm x2
Shaft
- 89002
6x9.2mm x2
O-Ring
- 89002
6x12mm x2
Washer
- 31310
3x10mm x4
F/H Screw

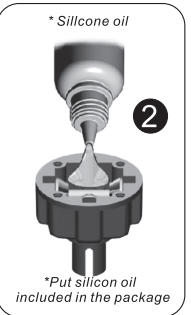
Bag 1,12

1

3 1
2



Oil No.1000 (REAR)
Oil No.5000 (FRONT)



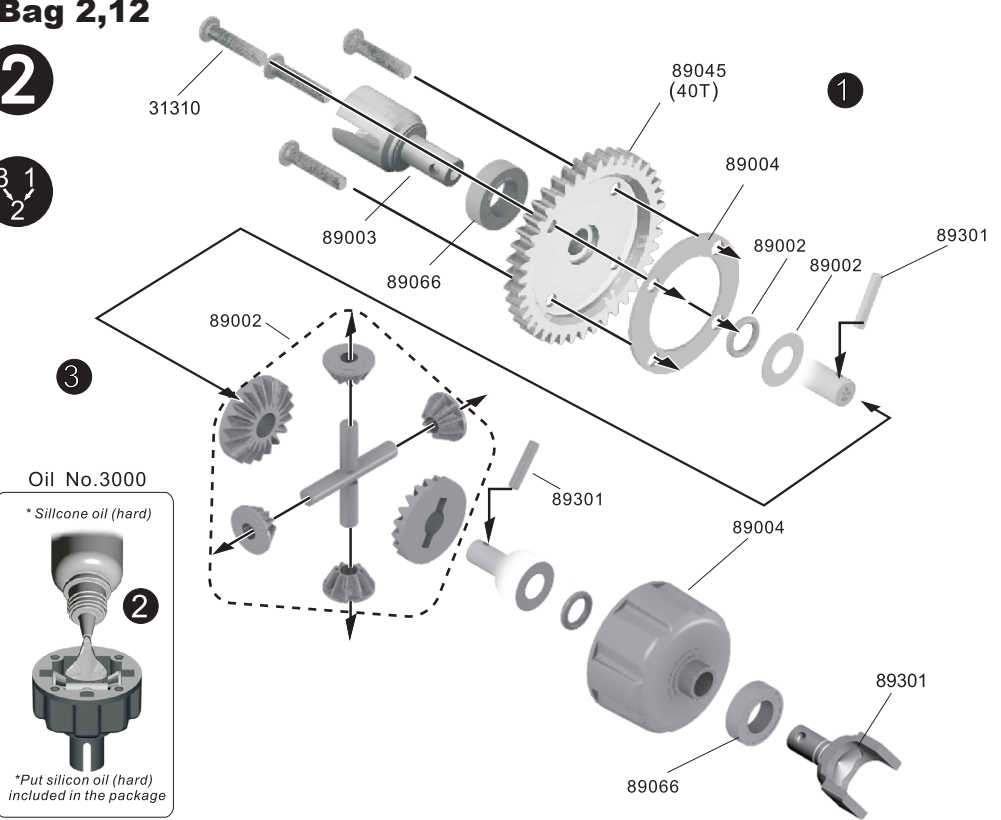
Assembly of Center Differential

- 89066
8x14x4mm x2
Ball bearing
- 89301
2.5x11.8mm x2
Shaft
- 89002
4x26.8mm x2
Shaft
- 89002
6x8mm x2
O-ring
- 89002
6x12mm x2
Washer
- 31310
3x10mm x4
F/H screws

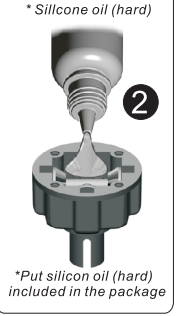
Bag 2,12

2

3 1
2



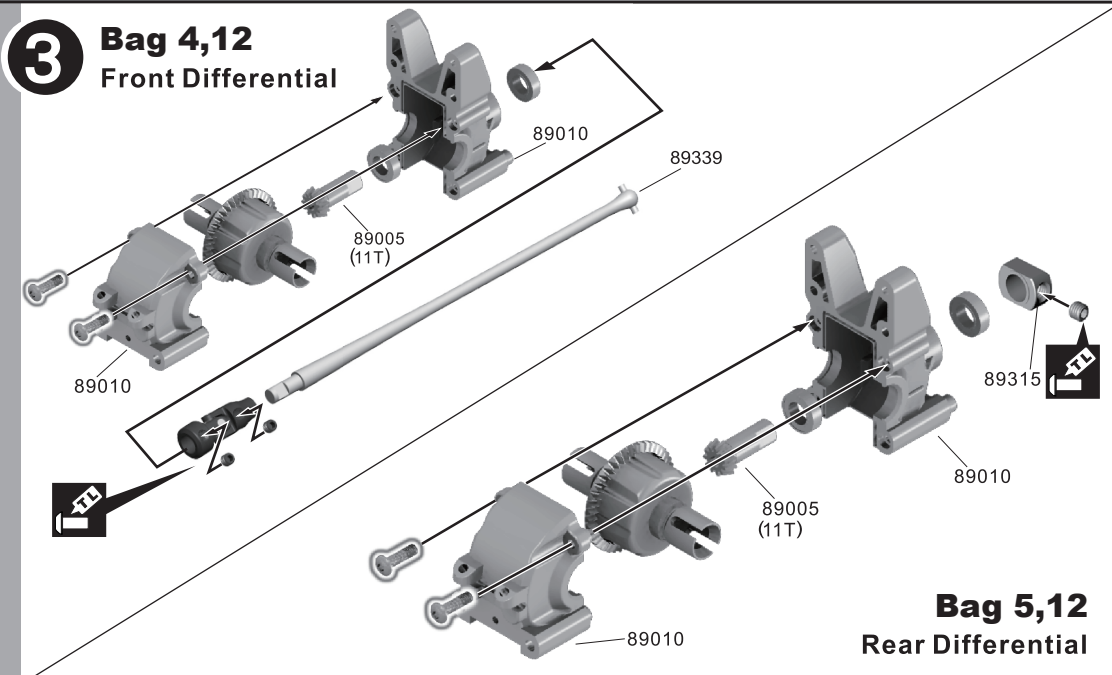
Oil No.3000



Assembly of Front/Rear Gear Box

- 38504
5x4mm x2
Set screw
- 89315
Steel joint cup x1
- 89005
Drive pinion gear x1
- 89066
8x14x4mm x2
Ball bearing
- 33315
3x15mm x2
Screws

3 Bag 4,12 Front Differential



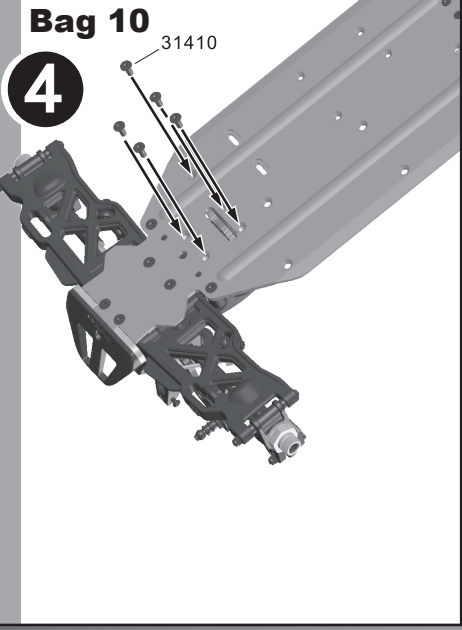
Bag 5,12 Rear Differential

Assembly of Motor Mount and Rear Support Plate

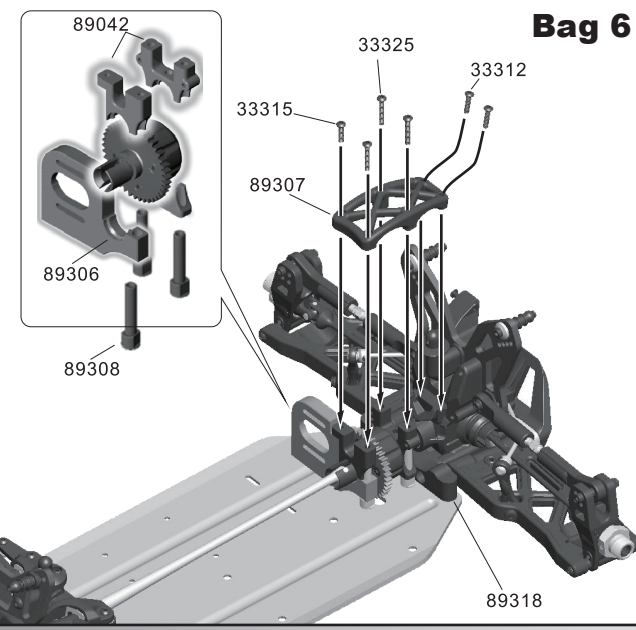
- 89308
Center diff alum post x 3pcs
- 31410
4x10mm x5
F/H Screws
- 33312
3x12mm x2
Screws
- 33315
3x15mm x1
Screws
- 33325
3x25mm x3
Screws

Bag 10

4



Bag 6

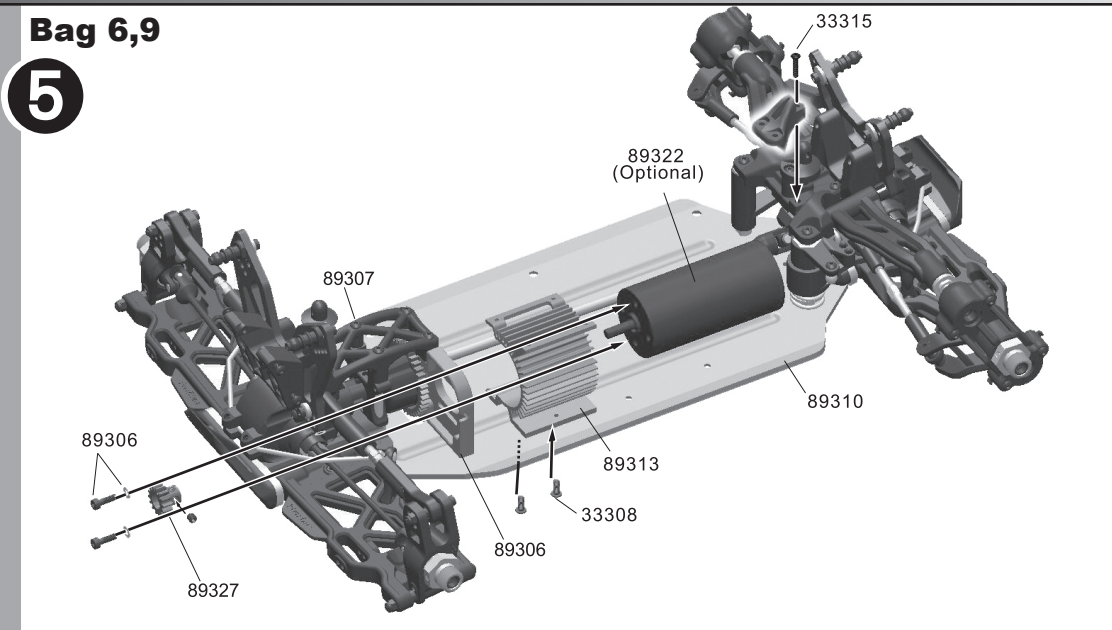


Assembly of Motor and Heat Sink

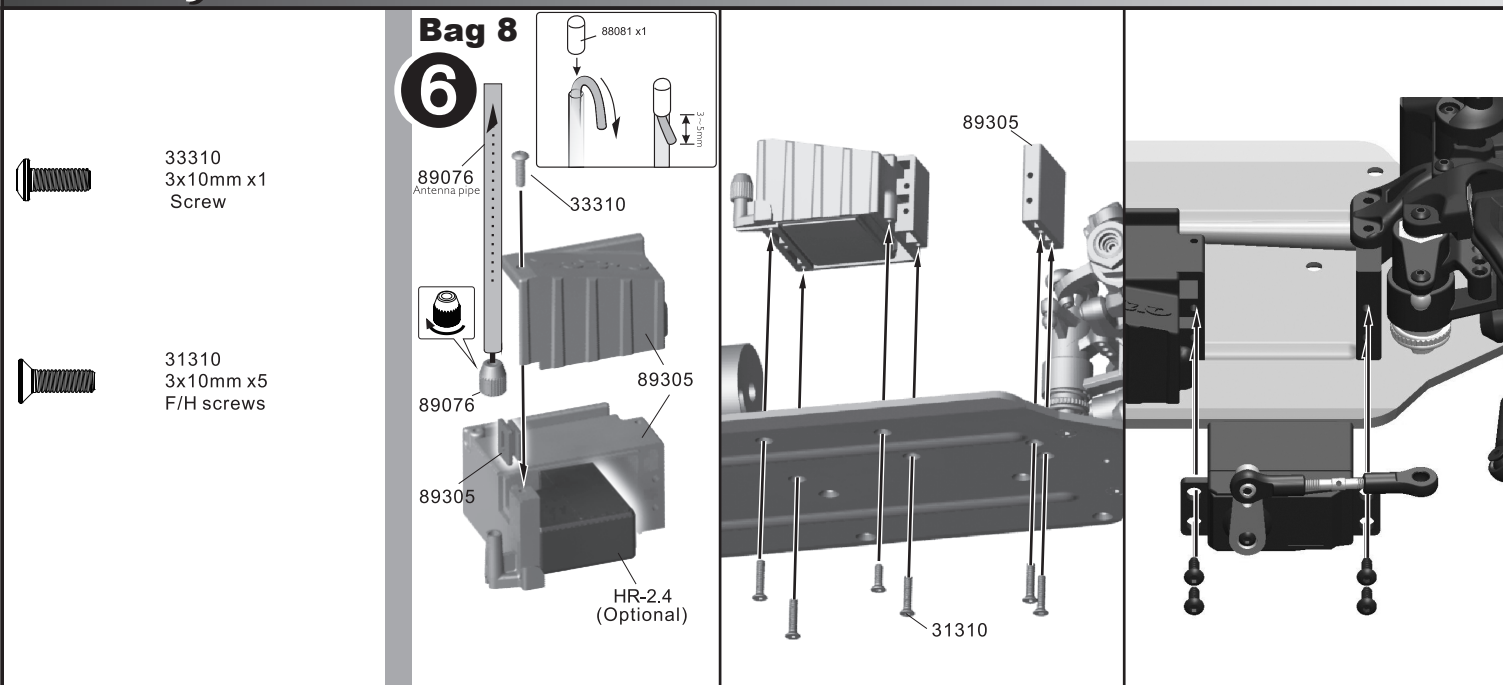
- 89306
3x8mm x2
Cap screws
- 89306
3.1x6x0.5mm x2
Washer
- 89327
1/8 Motor gear - 13T-5MM
- 38404
4x4mm x1
Set screw
- 33308
3x8mm x1
B/H Screw
- 33315
3x15mm x1
Screws

Bag 6,9

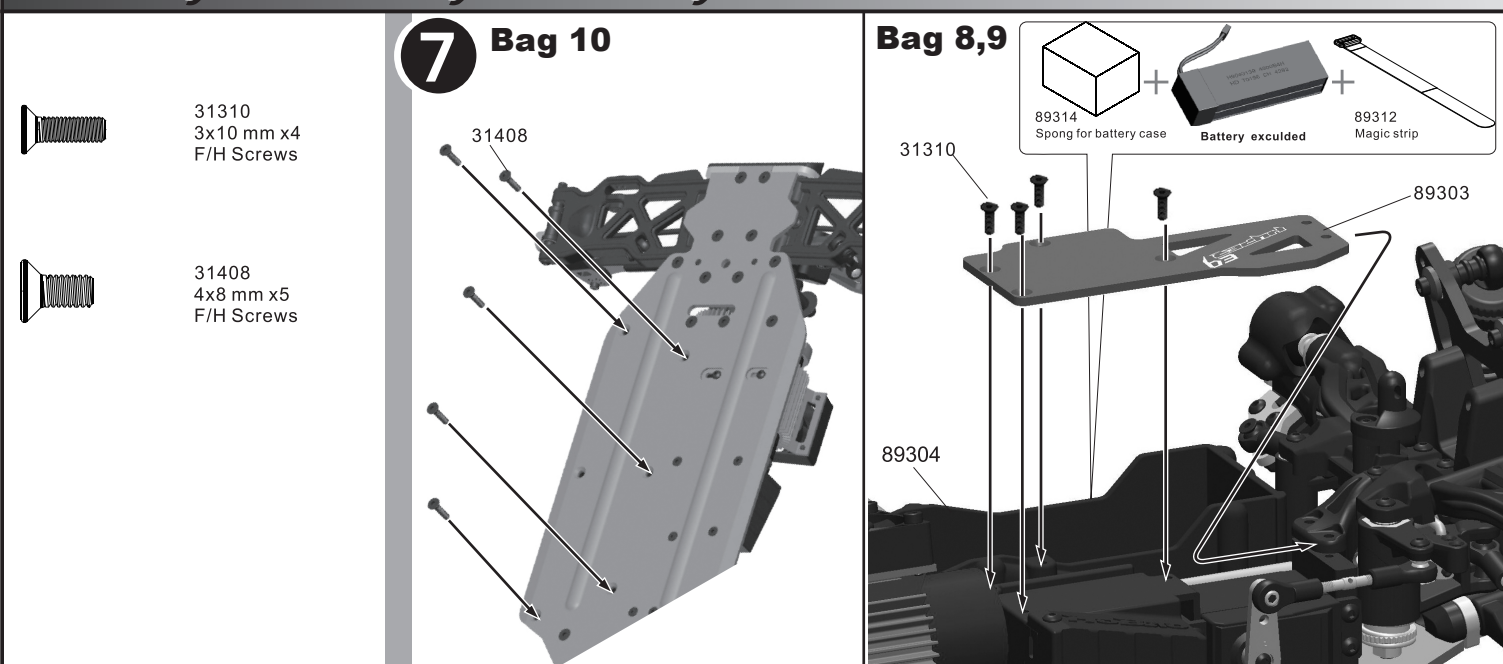
5



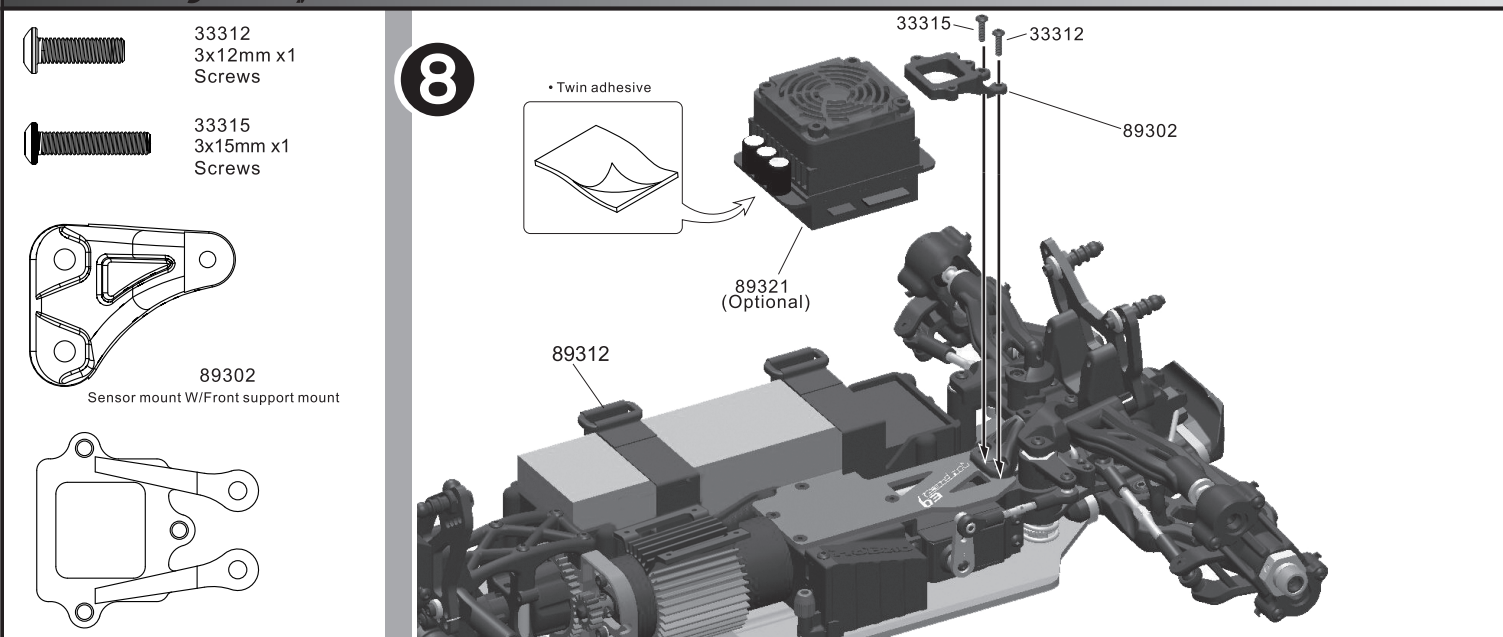
Assembly of Receiver Box and Servo



Assembly of Radio Tray and Battery Case



Assembly of Speed Controller and Sensor Mount



STANDARD PARTS		OPTIONAL PARTS	
89042	CENTER DIFFERENTIAL MOUNT	33312	M3 X 12 BUTTON HEAD SCREW
89601	STAR FRONT SHOCK TOWER - CNC 7075	33315	M3 X 15 BUTTON HEAD SCREW
89602	STAR FRONT UPPER ARM	33410	M4 X 10 BUTTON HEAD SCREW
89603	STAR ADJUSTABLE GASKET	33412	M4 X 12 BUTTON HEAD SCREW
89604	STAR STEERING PIVOT BALLS	35410	M4 X 10 PAN HEAD SCREW
89605	STAR STEERING KNUCKLES (L&R)	38303	M3 X 3 SET SCREW
89606	STAR STEERING PIVOT BALL LIMITER SET	38404	M4 X 4 SET SCREW
89607	STAR FRONT LOWER ARM	38405	M4 X 5 SET SCREW
89609	STAR FRONT ARM SHAFT HOLDER	38504	M5 X 4 SET SCREW
89610	STAR FRONT UPPER ARM HOLDER	38505	M5 X 5 SET SCREW
89611	STAR FRONT ARM SHAFT	39008	NYLON NUT M 3
89612	STAR FRONT STABILIZER SET	39408	M4 X 8 HEX SOCKET "I" HEAD SCREW
89615	STAR REAR STABILIZER SET	31312T	M3 X 12 FLAT HEAD TAP SCREW
89631	STAR TURNBUCKLE FOR STEERING	33310T	M3 X 10 BUTTON HEAD TAP SCREW
89634	STEERING BALL/PIVOT BALL 6.8MM	33312T	M3 X 12 BUTTON HEAD TAP SCREW
89635	FUTABA SERVO HORN	33413T	M4 X 13 BUTTON HEAD TAP SCREW
89670	HYPER STAR ELECTRIC CONVERSION KIT	33415T	M4 X 15 BUTTON HEAD TAP SCREW
(89301, 89302, 89303, 89304, 89305, 89306, 89307, 89308, 89310, 89312, 89313, 89314, 89315, 89318, 89327, 89339 AND 89671)		33418T	M4 X 18 BUTTON HEAD TAP SCREW
89301	STEEL FLAT JOINT CAP, W/SHAFT	89108	ADJUSTABLE SHOCK RING, 4 PCS
89302	SENSOR MOUNT W/FRONT SUPPOT MOUNT	89109	SHOCK NYLON SET
89303	CNC ALUM RADIO TRAY	89110	SHOCK ABSORBER REPAIR SET
89304	BATTERY CASE	89112W	FRONT SHOCK ABSORBER SET 20MM
89305	RECEIVER BOX	89113W	REAR SHOCK ABSORBER SET 20MM
89306	CNC ALUM MOTOR MOUNT	89115	ACKERMAN ROD & ALUM COLLAR
89307	REAR SUPPORT PLATE	89116	STANDARD FRONT/REAR DIFFERENTIAL SET
89308	CENTER DIFF ALUM POST, 3 PCS	89117	STANDARD CENTER DIFFERENTIAL SET
89310	ALUM CHASSIS	89125	FRONT/REAR SHOCK SPRING 20MM - MED. - WHITE
89312	MAGIC STRIP	89506	FRONT NYLON STEERING BALL END FOR B-VERSION
89313	CNC ALUM MOTOR HEAT SINK	89510	REAR SHOCK TOWER - CNC 7075
89314	SPONGE FOR BATTERY CASE	89511	REAR BOTTOM ARM FOR B-VERSION
89315	STEEL FLAT JOINT CAP	224064	BALL BEARING 5 X 8 MM
89317	SCREWS SET FOR HYPER 9 ELECTRIC CAR	224210	SINK ALUM WASHER 3MM
89318	PLASTIC REAR HINGE PIN HOLDER	84076	BALL BEARING M8 X 16
89327	1/8 MOTOR GEAR - 13T- 5MM	84078	BALL BEARING M6 X 10
89339	NEW STEEL CENTER DRIVE SHAFT	87016	SHOCK BALL END M6.8
89671	CLEAR BODY FOR STAR ELECTRIC CAR	87018	SHOCK BOOTS
89001	CROWN GEAR	87027H	WHEEL HUB SET - HARD COATING
89002	BEVEL GEAR	87375	BODY CLIPS
89003	F/R DIFFERENTIAL OUTDRIVE CUP	88002	HEX SCREW M4 X 47
89004	DIFFERENTIAL CASE	88031	SUSPENSION BALL 7.8MM
89005	DRIVE PINION GEAR	88032	SUSPENSION FLANGE BALL
89007	FRONT LOWER ARM HOLDER - PLASTIC	88115	ALUM COLLAR FOR SHOCK TOWER
89010	GEAR BOX	FR-25	INNER FOAM FOR TIRES
89012	CNC FRONT LOWER ARM HOLDER (FF)	SCREWS	
89013C	CNC SCREWS M3 X 50 & M3 X 47	31305	M3 X 5 FLAT HEAD SCREW
89014	ARM SHAFT M4 X 66 (4 PCS)	31306	M3 X 6 FLAT HEAD SCREW
89017	SET SCREWS M5 X 8 (4 PCS)	31308	M3 X 8 FLAT HEAD SCREW
89025	REAR UPPER ARM	31316	M3 X 16 FLAT HEAD SCREW
89026	TURNBUCKLE FOR REAR UPPER ARM	31320	M3 X 20 FLAT HEAD SCREW
89027	REAR WHEEL HUB (L&R)	31410	M4 X 10 FLAT HEAD SCREW
89028	UNIVERSAL DRIVE SHAFT	31414	M4 X 14 FLAT HEAD SCREW
89029	CNC REAR LOWER ARM HOLDER - ALUM 7075	31416	M4 X 16 FLAT HEAD SCREW
89030	CNC FRONT LOWER ARM HOLDER (FR)	32308	M3 X 8 CAP HEAD SCREW
89034	FRONT/REAR BUMPER SET	32316	M3 X 16 CAP HEAD SCREW
89036	SERVO SAVER SET	32325	M3 X 25 CAP HEAD SCREW
89037	SERVO SAVER ARMS	33308	M3 X 8 BUTTON HEAD SCREW
		33310	M3 X 10 BUTTON HEAD SCREW
		87230H	DUSTPROOF WHEEL HUB - HARD COATING
		87562	NEW WING
		89032	WING MOUNT FOR 87562
		89126	SPIDER FRONT/REAR DIFFERENTIAL SET
		89127	SPIDER CENTER DIFFERENTIAL SET
		89130	ONE-PIECE SHOCK CAP SET
		89131	ONE-PIECE SHOCK CAP (4 PCS)
		89132	RUBBER GASKET & ALUM WASHER
		89133	STEEL SHOCK BALL END FOR 89130
		89141	NEW BIG BORE FRONT SHOCK W/ALUM 1-PIECE CAP SET
		89142	NEW BIG BORE REAR SHOCK W/ALUM 1-PIECE CAP SET
		89146	DUSTPROOF SILICONE TUBE FOR GEAR BOX
		89147	CNC ALUM 7075 REAR WHEEL HUB
		89148	CNC ALUM ADJUSTABLE RING - 20MM
		89320	1/8 80A BRUSHLESS SPEED CONTROLLER & 2350 KV MOTOR SET
		89321	1/8 80A BRUSHLESS SPEED CONTROLLER
		89322	1/8 3674SL - 2350 KV BRUSHLESS MOTOR
		89323	1/8 FAN FOR BRUSHLESS SPEED CONTROLLER
		89324	1/8 BRUSHLESS PROGRAM CARD-C-V1
		89325	1/8 BRUSHLESS MOTOR GEAR - 15T - 5MM
		89326	1/8 BRUSHLESS MOTOR GEAR - 16T - 5MM
		89328	1/8 BRUSHLESS MOTOR GEAR - 17T - 5MM
		89329	1/8 BRUSHLESS MOTOR GEAR - 18T - 5MM
		89672	1/8 PRINTED BODY FOR HYPER STAR ELECTRIC CAR
		89331	CNC FRONT SUPPORT BRACE FOR H9 ELECTRIC CAR
		89332	CNC REAR SUPPORT BRACE FOR H9 ELECTRIC CAR
		89311	1/8 BRUSHLESS MOTOR GEAR - 14T - 5MM
		89319	CNC ALUM REAR HINGE PIN HOLDER
		89420	1/8 150A BRUSHLESS SPEED CONTROLLER & 2000 KV MOTOR SET
		89421	1/8 150A-SD-V1-R BRUSHLESS SPEED CONTROLLER
		HT-2.4EF	HO BAO 2.4 GHZ LED R/C SET
		HT-2.4CF	HO BAO 2.4 GHZ LCD R/C SET
		HR-2.4	HO BAO 2.4 GHZ RECEIVER